

## EN54 COLUMN SPEAKER

- 10W 100V LOUDSPEAKER
- LENGTH 12" (300MM)
- SWIVEL-BRACKET MOUNTING
- ALUMINIUM HOUSING
- WEATHERPROOF TO IP66
- HIGH SOUND QUALITY
- FULLY CERTIFIED TO EN54-24



### OVERVIEW

The SPCO-10W-120-EN54 is a 10W 100V column loudspeaker, which has two 3" (77mm) full-range loudspeaker chassis providing high sound quality with speech and background music, and which is certified to EN54-24. The speaker is fitted with a 100V transformer which has four power adjustment tapings of 10W, 6W, 3W and 1.5W.

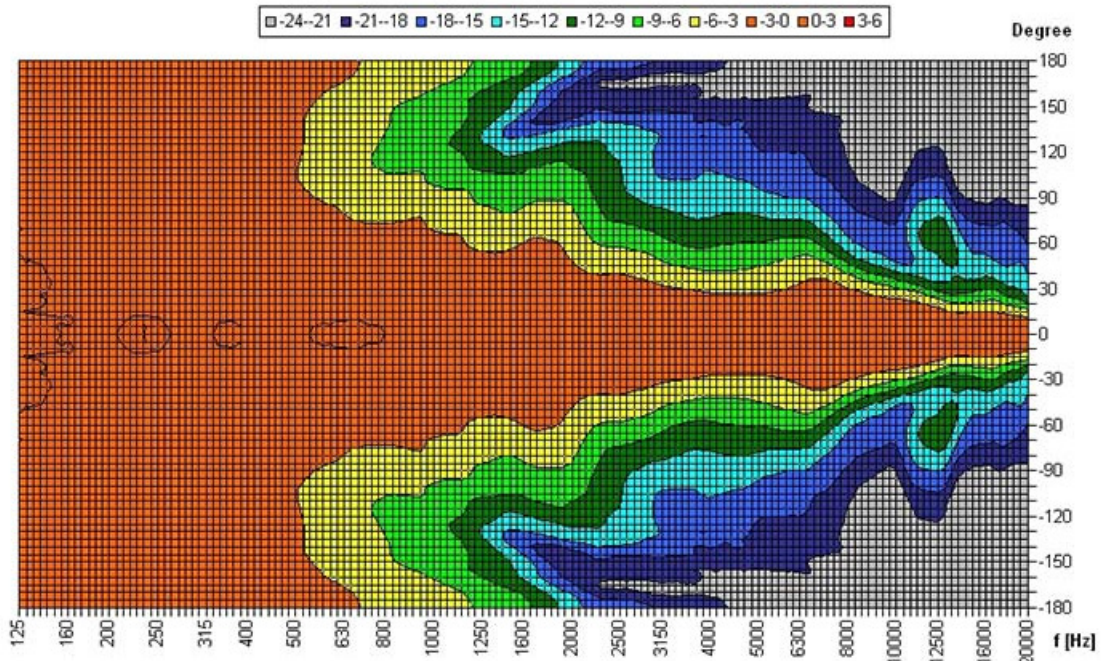
The SPCO-10W-120-EN54 has a powder coated shock resistant metal chassis and grille, with the high quality powder coated finish giving good long-term protection and resistance to corrosion. The enclosure uses PG9 cable glands and is sealed to the IP66 environmental standard. Thus the speaker is protected against the ingress of dust, and is sealed against high pressure water jets. As standard the speaker is coloured to match RAL9006 'White Aluminium', however the speakers can be supplied in any four-digit RAL or NCS colour, as a special order.

The speaker is mounted using a multi-direction swivel bracket, which provides great flexibility in the orientation of the speaker relative to its mounting location. The 100V loudspeaker line cabling is connected by means of a two-pin ceramic block, and for additional reliability a thermal fuse is provided and the speaker chassis is damp-resistant.

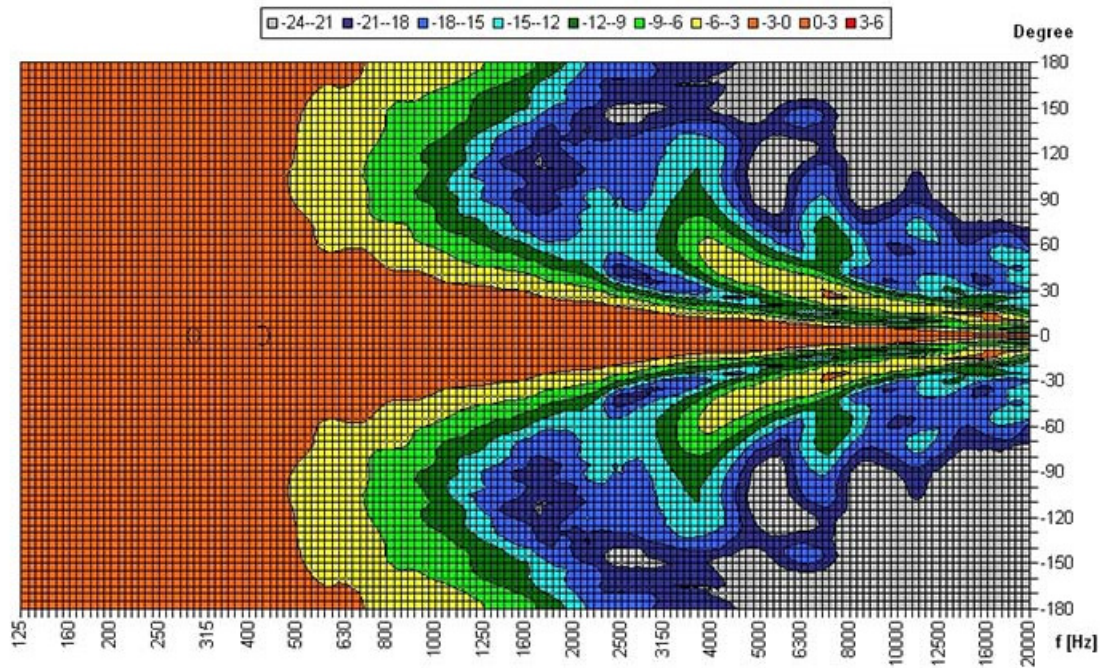
EASE data is available for this speaker on request.

**PRODUCT ATTRIBUTES**

Power Tappings	10W / 6W / 3W / 1.5W
Frequency Range	210 – 17,700 Hz
Frequency Response	140 – 23,500 Hz
SPL 1W / 1m, peak	97.6 dB
SPL 1W / 4m, peak	85.6 dB
SPL Pmax / 4m, peak	95.6 dB
Sensitivity EN54-24, 1W / 4m	77.2 dB
Dispersion (-6dB, 500Hz)	360° (horizontal) 360° (vertical)
Dispersion (-6dB, 1KHz)	187° (horizontal) 66° (vertical)
Dispersion (-6dB, 2KHz)	149° (horizontal) 66° (vertical)
Dispersion (-6dB, 4KHz)	91° (horizontal) 32° (vertical)
Temperature Range	-20 / +90°C
Dimensions	296 x 100 x 92 mm
Weight (net)	1.60 kg
Colour	RAL9006 'White Aluminium'
Connector	2-pin ceramic block
Mounting	Swivel bracket
IP Rating	IP66
Maximum cable cross section	8mm <sup>2</sup>
Maximum cable cross section loop	2x2 <sup>2</sup>
Packing Unit	1

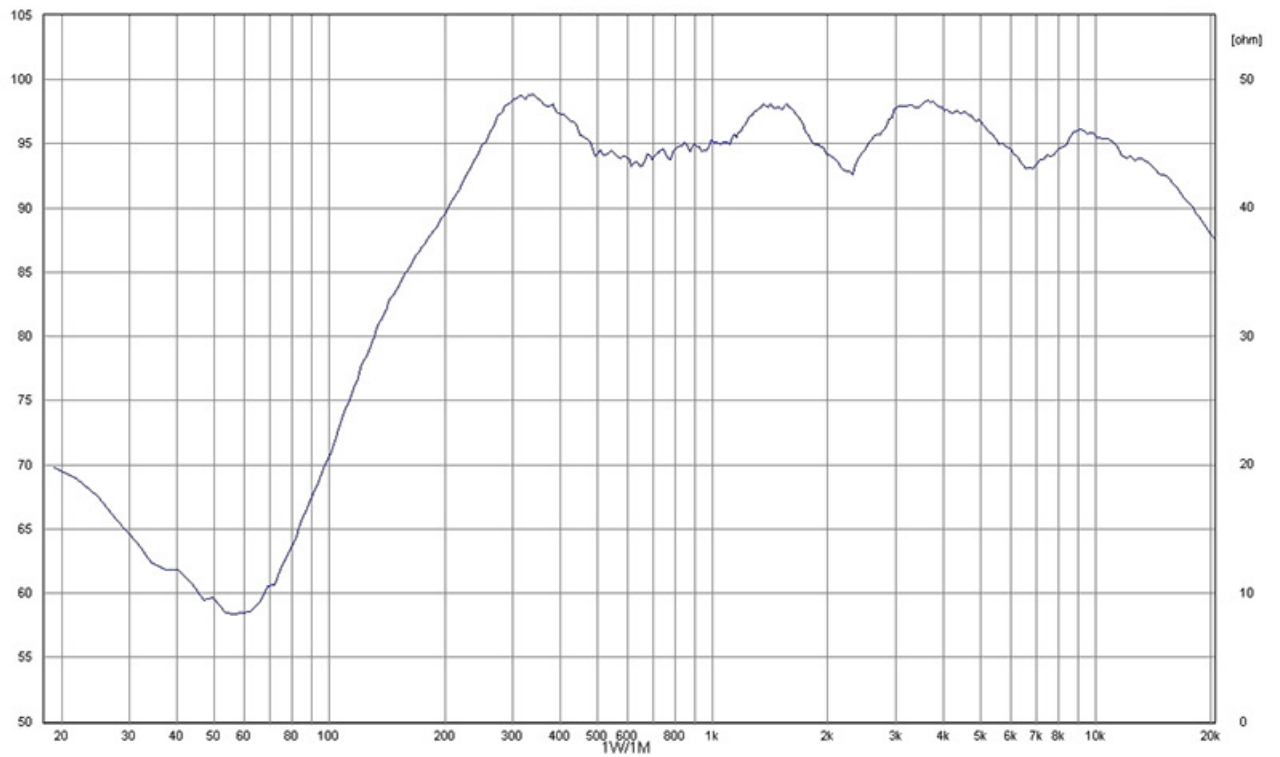
**POLAR DIAGRAM**
**Horizontal Isobars**


Parameters: Cyclic Move: 0° ; Symmetry: average sym ; Freq.Smooth: 1/3 Oct ; Ang.Resol.: 5° ; Rel. to: 0° Axis 0°

**Vertical Isobars**


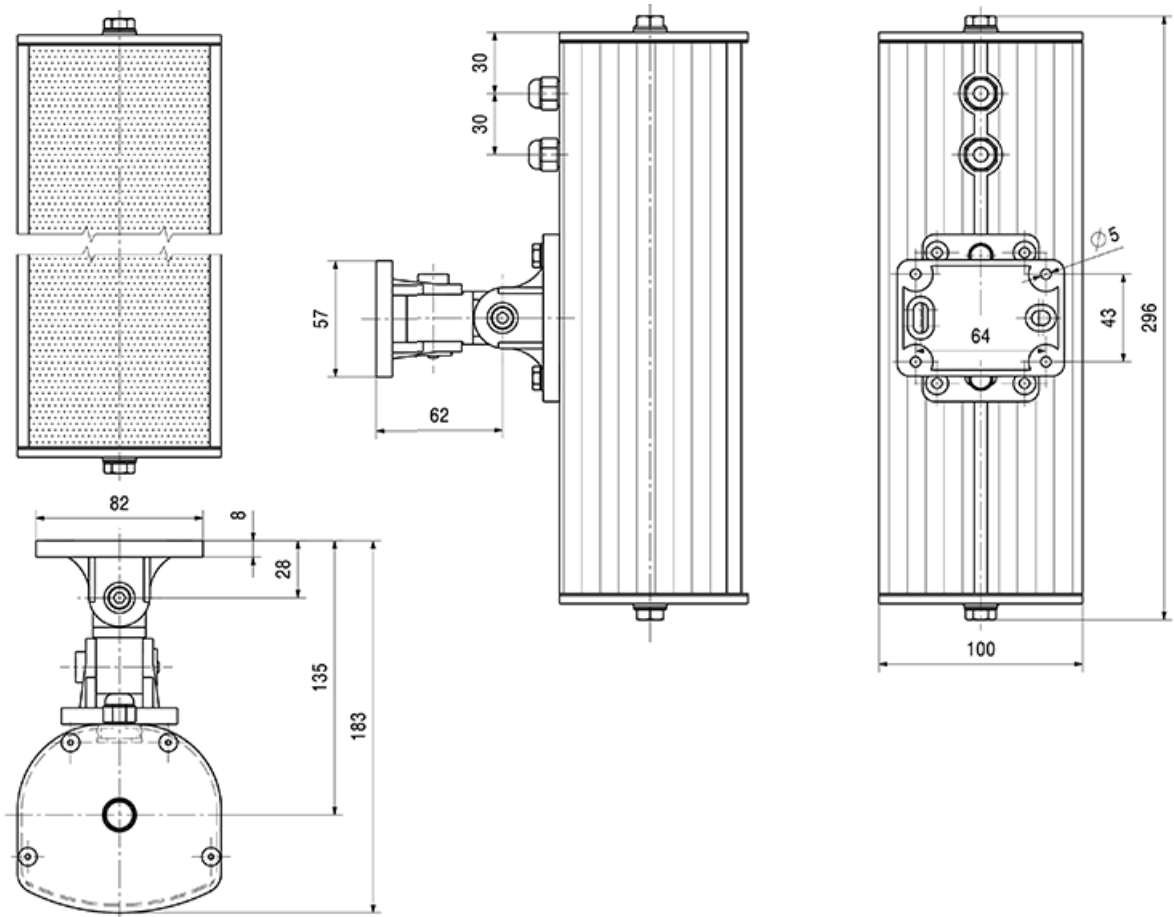
Parameters: Cyclic Move: 0° ; Symmetry: average sym ; Freq.Smooth: 1/3 Oct ; Ang.Resol.: 5° ; Rel. to: 0° Axis 0°

## FREQUENCY RESPONSE DIAGRAM





**DIMENSIONAL DIAGRAM**



Measurements according to DIN IEC 268-5

RoHS complaint (2011/65/EU)

Made for:

Application Solutions (Safety and Security) Limited  
 Unit 17 - Cliffe Industrial Estate - Lewes - East Sussex - BN8 6JL - U.K.  
 Tel: +44(0)1273 405411

[www.asl-control.co.uk](http://www.asl-control.co.uk)



**Assessed to ISO 9001  
 LPCB Cert No: C1043**

All rights reserved.

Information contained in this document is believed to be accurate, however no representation or warranty is given and Application Solutions (Safety and Security) Limited assumes no liability with respect to the accuracy of such information.