

EN54 MUSIC HORN SPEAKER

- 30W 100V LOUDSPEAKER
- HIGH SOUND PRESSURE LEVEL
- VERY GOOD SOUND QUALITY
- U-BRACKET MOUNTING
- ROBUST ABS PLASTIC HOUSING
- WEATHERPROOF TO IP66
- UL94 V-0 COMPLIANT
- FULLY CERTIFIED TO EN54-24



OVERVIEW

The SPHM-30W-EN54 is a 30W 100V two-way music horn loudspeaker which gives a high sound pressure level for internal and external applications, and which is certified to EN54-24. The SPHM-30W-EN54 has a well balanced frequency range, and provides very good speech and background music quality. The speaker is fitted with a 100V transformer which has four power adjustment tapings of 30W, 15W, 7.5W and 3.75W.

The SPHM-30W-EN54 has a robust impact resistant ABS housing, which is sealed to the IP66 environmental standard. Thus the speaker is sealed against the ingress of dust, and is sealed against high pressure water jets for sustained weather resistance in industrial applications. In addition, the body meets the UL94 V-0 flammability standard. The speaker is coloured to match RAL7035 'Light Grey'.

Mounting of the speaker is provided using a stainless-steel 'U' bracket, which provides a number of flexible mounting options. The 100V loudspeaker line cabling is connected by means of a ceramic block, and for additional reliability a thermal fuse is provided. There is also a strap-on mast bracket available as an accessory, part number SPAC-MB-80. This mast bracket is suitable for use with masts of up to 200mm diameter.

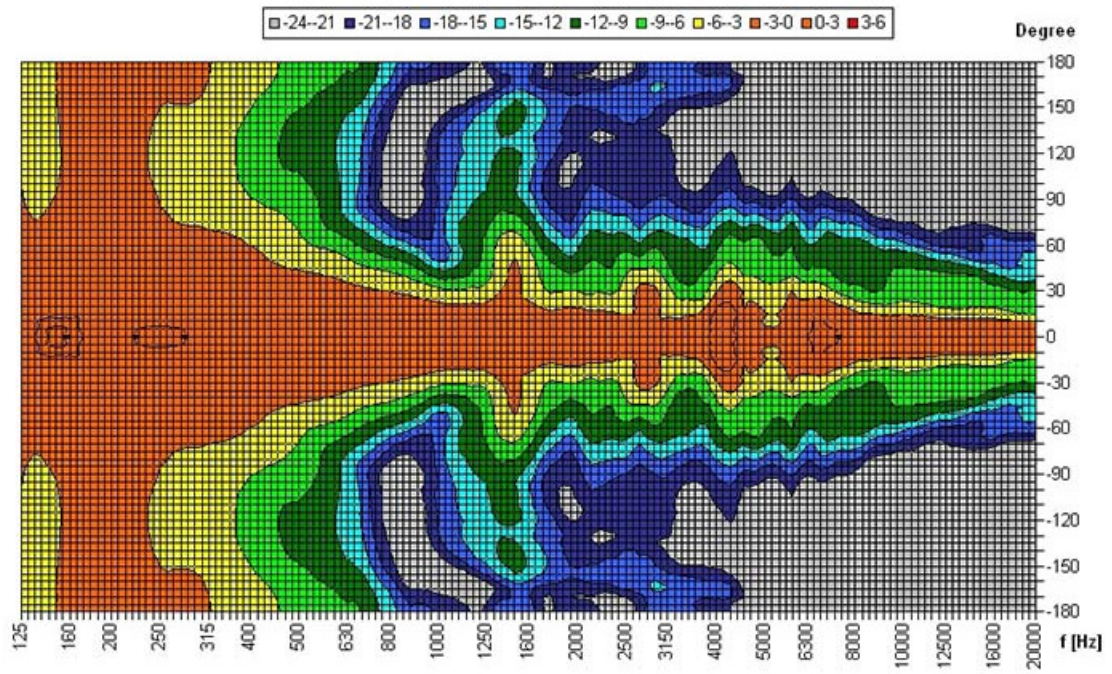
EASE data is available for this speaker on request.

TECHNICAL DATA

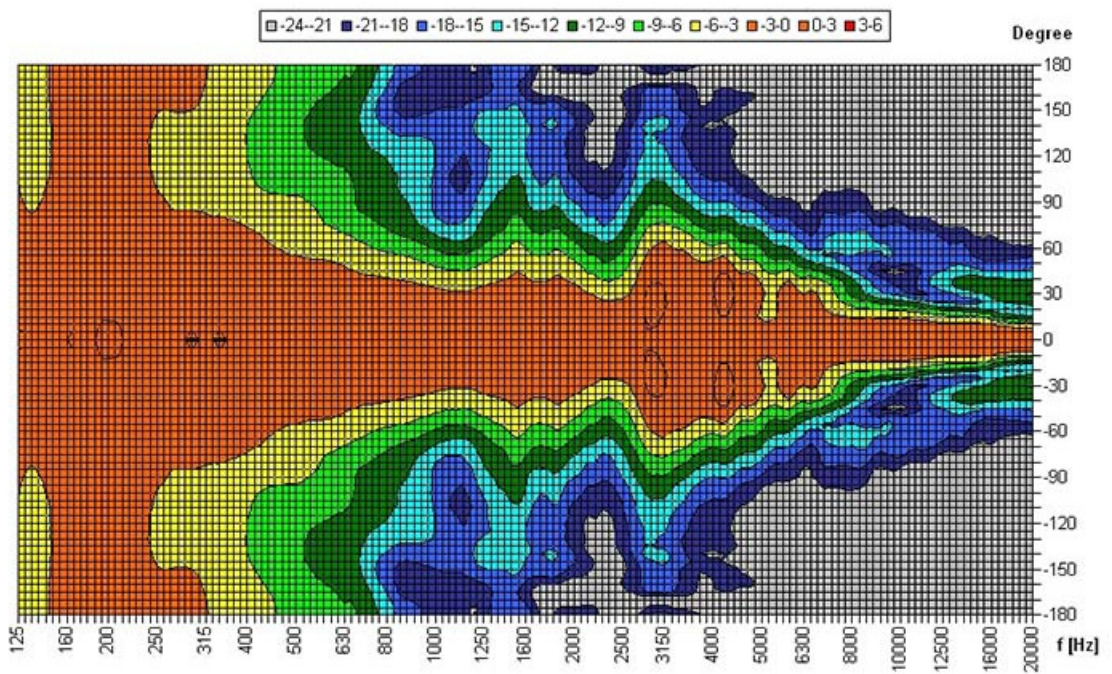
Power Tappings	30W / 15W / 7.5W / 3.75W
Frequency Range	237— 21,100 Hz
Frequency Response	65 — 24,000 Hz
SPL 1W / 1m, peak	101.8dB
SPL 1W / 4m, peak	89.8 dB
SPL Pmax / 4m, peak	104.5 dB
Sensitivity 1W / 4m	78.4 dB
Dispersion (-6dB, 500Hz)	145° (horizontal) 193° (vertical)
Dispersion (-6dB, 1KHz)	60° (horizontal) 99° (vertical)
Dispersion (-6dB, 2KHz)	57° (horizontal) 103° (vertical)
Dispersion (-6dB, 4KHz)	80° (horizontal) 123° (vertical)
Temperature range	-20 / +90 °C
Dimensions	370 x 255 x 330 mm
Weight (net)	4.57 kg
Colour	RAL7035 'Light Grey'
Connector	Ceramic block
Mounting	'U' Universal mounting bracket
Maximum cable cross section	8mm ²
Maximum cable cross section loop	2x2 mm ²
Packing Unit	4

POLAR DIAGRAM

Horizontal Isobars

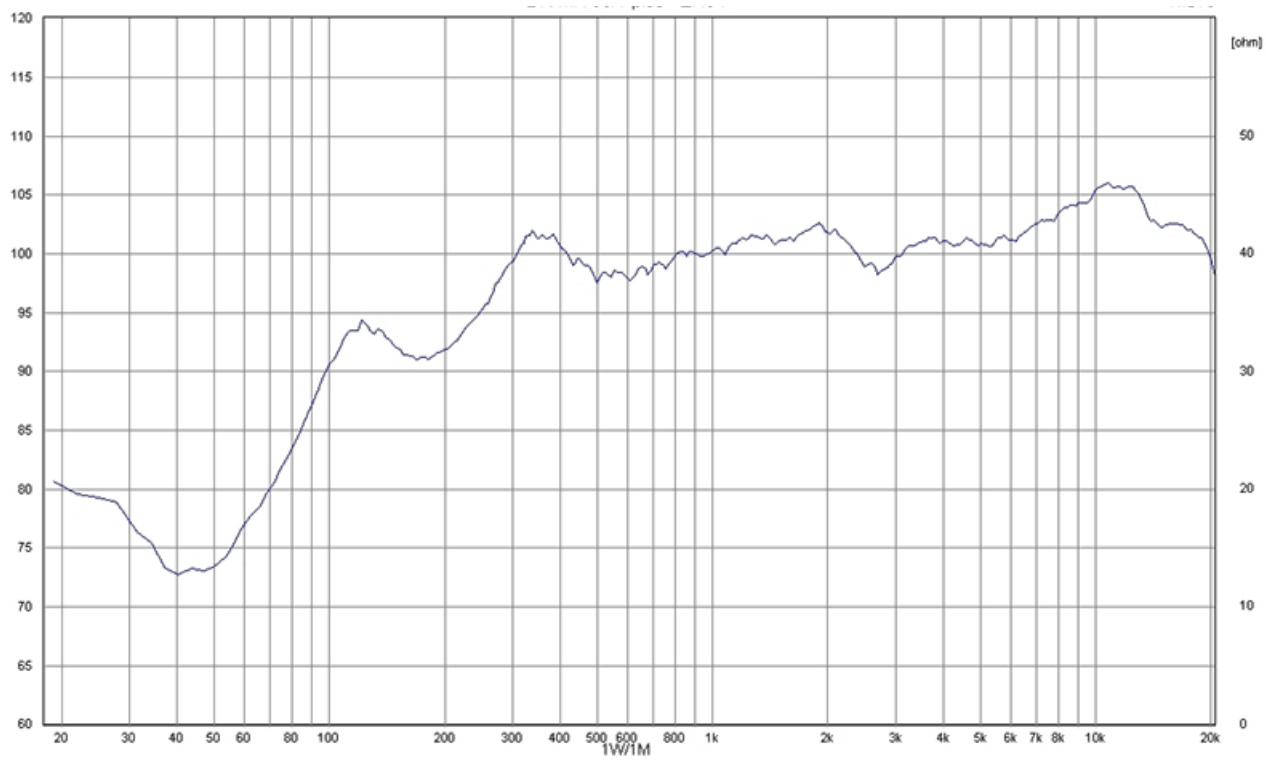


Vertical Isobars

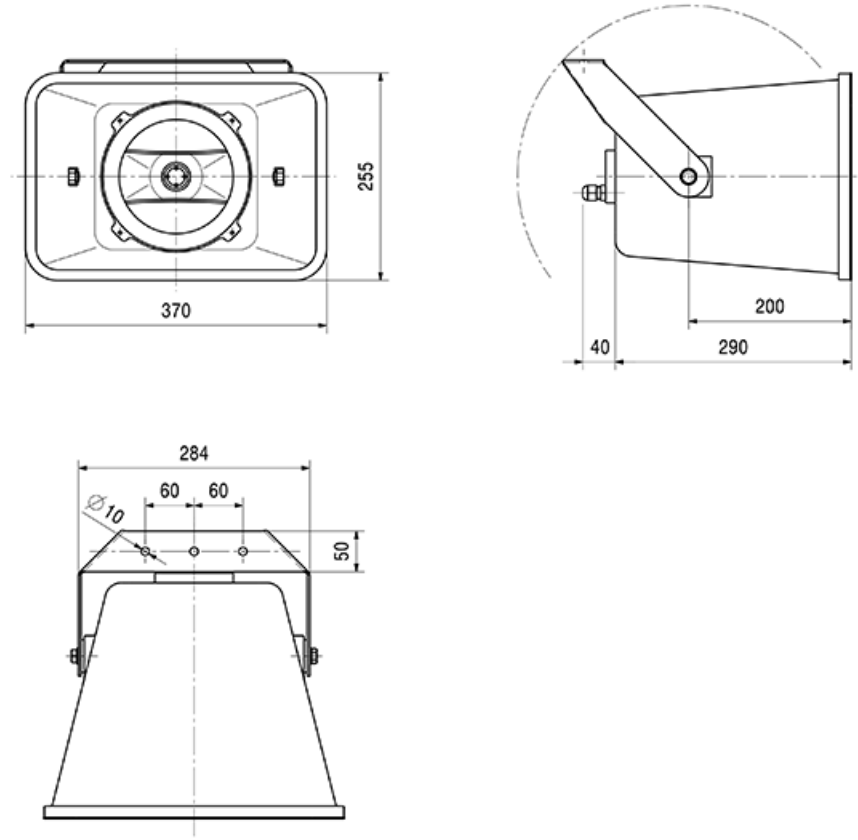


Parameters: Cyclic Move: 0° ; Symmetry: average sym ; Freq.Smooth: 1/3 Oct ; Ang.Resol.: 5° ; Rel. to: 0° Axis 0°

FREQUENCY RESPONSE DIAGRAM



DIMENSIONAL DIAGRAM



Measurements according to DIN IEC 268-5

RoHS complaint (2011/65/EU)

Made for:

Application Solutions (Safety and Security) Limited
 Unit 17 - Cliffe Industrial Estate - Lewes - East Sussex - BN8 6JL - U.K.
 Tel: +44(0)1273 405411

www.asl-control.co.uk



**Assessed to ISO 9001
 LPCB Cert No: C1043**

All rights reserved.

Information contained in this document is believed to be accurate, however no representation or warranty is given and Application Solutions (Safety and Security) Limited assumes no liability with respect to the accuracy of such information.