

## PUBLIC ADDRESS CEILING SPEAKER

- 6W 100V LOUDSPEAKER
- SIZE 6.5" (165MM)
- QUICK MOUNT
- SHOCK-RESISTANT HOUSING
- HIGH EFFICIENCY
- EXCELLENT SOUND QUALITY



### OVERVIEW

The SPCF-06W-65 is a 6W 100V flush mount ceiling loudspeaker, which has a 6.5" (165mm) full-range chassis providing excellent sound quality with speech and background music. The speaker is fitted with a 100V transformer which has three power adjustment tapings of 6W, 3W, and 1.5W.

The SPCF-06W-65 has a powder coated metal chassis and grille, with the high quality finish giving good long-term protection and resistance to corrosion. As standard the speaker is coloured to match RAL9010 'Pure White', however the speakers can be supplied in any four-digit RAL or NCS colour, as a special order.

Quick and easy ceiling mounting is provided through the use of spring clamps, with a possible ceiling thickness of between 2mm and 45mm. The 100V loudspeaker line cabling is connected by means of a simple and quick two-pin push-clamp.

Please note that although very thin ceilings can be used as a mounting surface, it should be ensured that the ceiling thickness and strength are appropriate to the weight of the speaker, and to the thickness and weight of the 100V line cable.

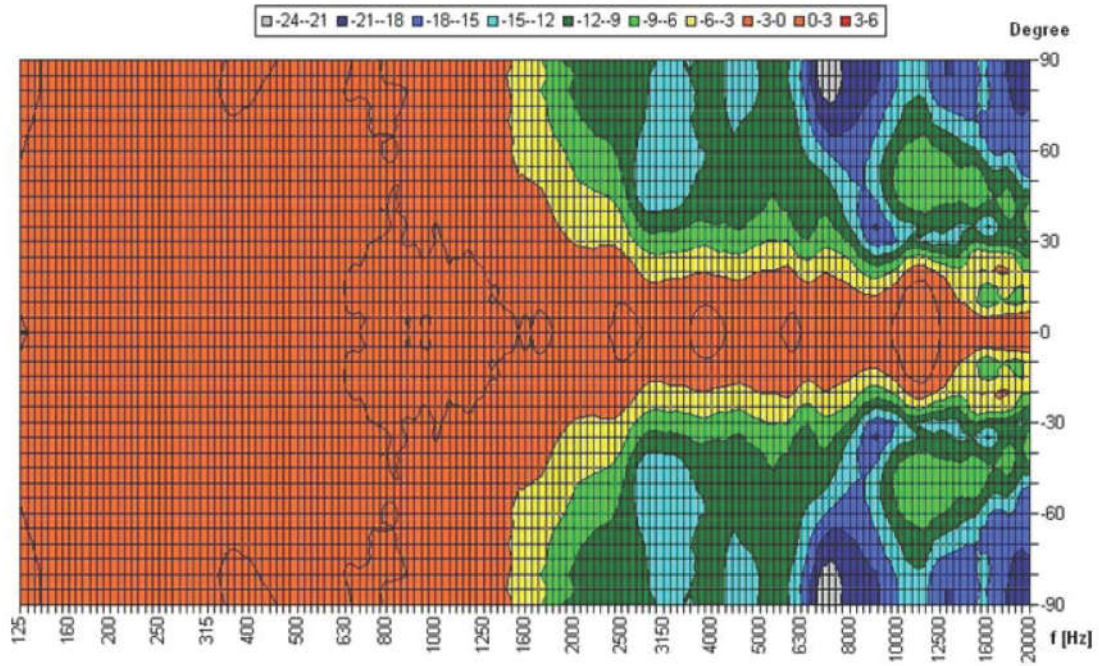
This loudspeaker is optionally available with a DC blocking capacitor fitted, in order to provide compatibility with DC loudspeaker line monitoring systems. The part number for this DC monitoring compatible version is SPCF-06W-65-DC.

EASE data is available for this speaker on request.

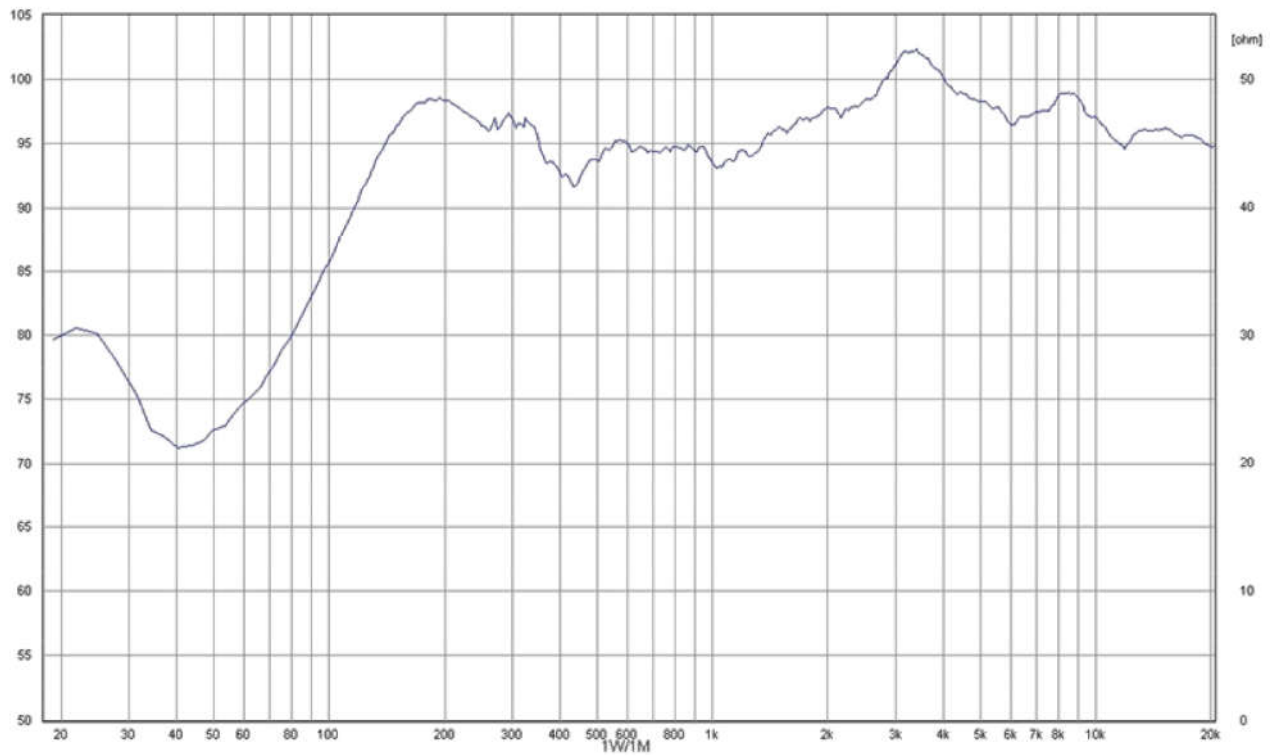
**PRODUCT ATTRIBUTES**

Power Tappings	6W / 3W / 1.5W
Frequency Range	97 – 20,000 Hz
Frequency Response	90 – 24,000 Hz
SPL 1W / 1m, peak	103 dB
SPL Pmax / 1m, peak	110.8 dB
Sensitivity 1W / 1m	97.5 dB
Dispersion (-10dB)	180°(horizontal) / 180° (vertical)
Temperature Range	-20 / +80 °C
Dimensions	220 x 104 mm
Weight (net)	1.13 kg
Colour	RAL 9010 'Pure White'
Connector	2-pin push clamp
Mounting	Quick fit mounting
Ceiling Cut-out	195 mm
Accessories	SPA-FD-65 Fire Dome
Packing Unit	12

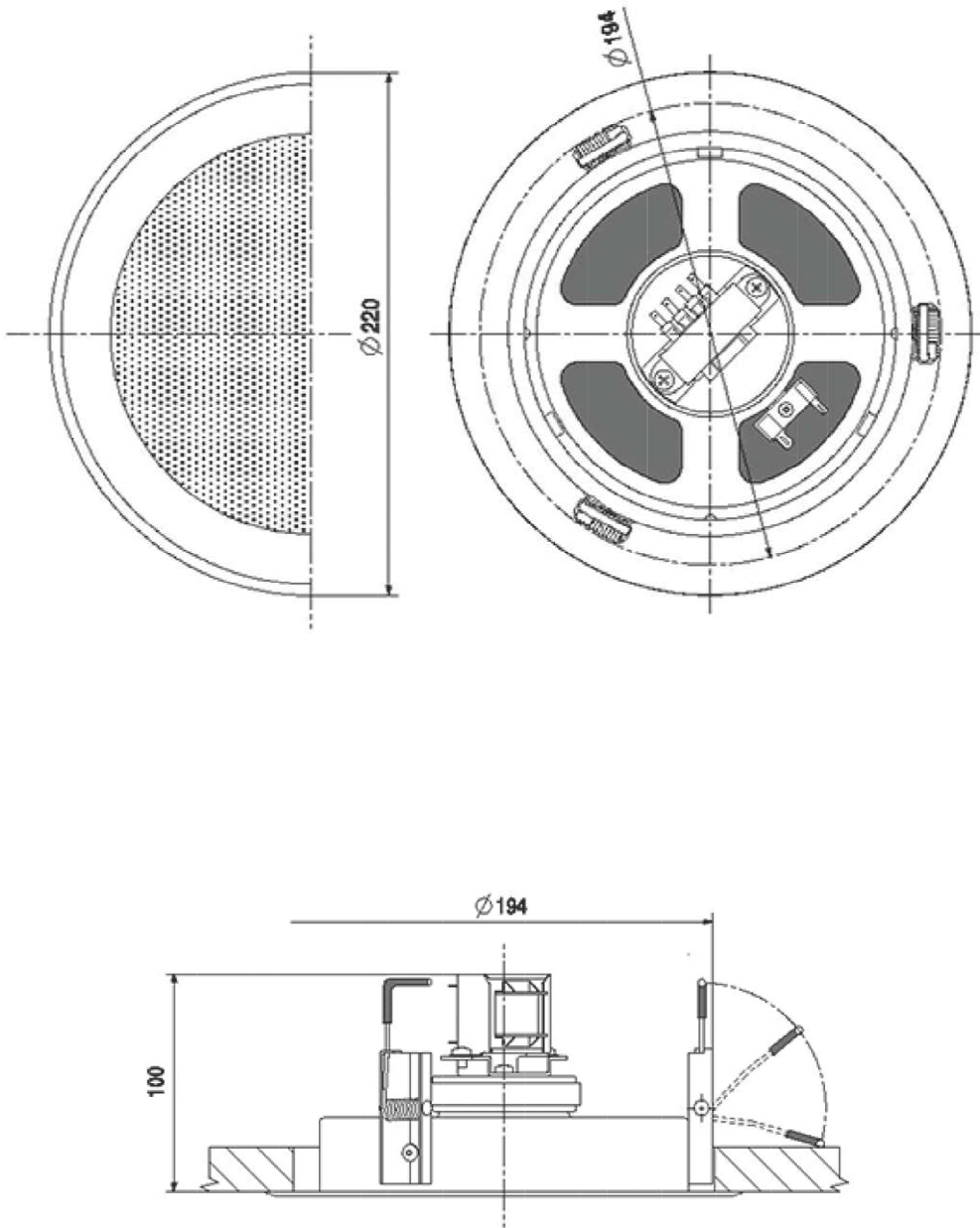
POLAR DIAGRAM



FREQUENCY RESPONSE DIAGRAM



**DIMENSIONAL DIAGRAM**



Measurements according to DIN EC 268-5

RoHS complaint (2011/65/EU)



This equipment is designed and manufactured to conform to the following EC standards:  
 EMC: EN55103-1/E1, EN55103-2/E5, EN50121-4, ENV50204  
 Safety: EN60065

Manufacturer

Application Solutions (Safety and Security) Limited  
 Unit 17 - Cliffe Industrial Estate - Lewes - East Sussex - BN8 6JL - U.K.  
 Tel: +44(0)1273 405411

[www.asl-control.co.uk](http://www.asl-control.co.uk)

All rights reserved.

Information contained in this document is believed to be accurate, however no representation or warranty is given and Application Solutions (Safety and Security) Limited assumes no liability with respect to the accuracy of such information.

