

PUBLIC ADDRESS TOUCHSCREEN WORKSTATION

- LIVE PAGING WITH GRAPHICAL ZONE SELECTION
- PRE-RECORDED MESSAGE MANAGEMENT AND PLAYBACK
- PRE-RECORDED MESSAGE SCHEDULING
- BACKGROUND MUSIC ROUTING
- FAULT AND ZONE STATUS REPORTING
- MULTIPLE USER ACCOUNTS
- SUPPORTING UP TO 384 ZONES
- CUSTOMISABLE 2D BUTTON OR GRAPHICAL



OVERVIEW

The VIPA-WS is a PC-based, 'all in one' touchscreen workstation that serves as the front end for controlling and monitoring an ASL Public Address/Voice Alarm system. It functions as a graphic display for an ASL MPS series microphone, such as the ASL MPS01 IP microphone (pictured above). Different configurations are available depending on the number of PA Zones that need to be controlled or monitored, VIPA-WS20 supporting up to 20 zones, VIPA-WS100 supporting up to 100 zones and the VIPA-WSCOM up to 384 zones. For larger Public Address systems with more than 384 zone please contact ASL.

The VIPA-WS and MPS collaborate as a paging microphone with complete integration between the graphic display and desk microphone. This allows users to select PA zones for broadcast either on the touchscreen or by using physical microphone buttons. Additionally, the Press To Talk (PTT) function can be used on both the graphic display and the microphone itself. The VIPA-WS also includes a background music routing feature, controlling the music feed connected to the ASL audio controller.

The VIPA-WS enables PA announcements to be made from pre-recorded PA messages. PA messages can be scheduled to be automatically broadcast at specific intervals, and users can also record new messages.

The VIPA-WS's user interface is simple and intuitive, with easy and quick operation. The 2D display graphics use standard .png image files, which usually show either PA zone select buttons or a customized site plan with the physical layout of the PA zones displayed on the screen. If a site plan image is used, each zone area represents a "zone select" button, and different colours indicate zone selection and announcement status.

TOUCHSCREEN HARDWARE

The VIPA-WS is an All-In-One PC and touchscreen monitor, with a mouse and keyboard. One or more VIPA-WS workstations can be used on a single PA system. The VIPA-WS's interface to the PA system is through an RJ45 Ethernet port, and it is connected to an IP network where PA audio is routed using ASL's VIPA Voice over IP technology. The VIPA-WS is compatible with the ASL VIPA enabled range, including the VIPEDIA IP Audio Router and the INTEGRA.

The VIPA-WS can be tailored to use alternative hardware or offer numerous additional functions. Please reach out to Zenitel if you have specific PA workstation requirements that are not addressed by the standard features listed above. Further capabilities are also available through a complete upgrade to an iVENCs Control System workstation.

KEY FUNCTIONALITY

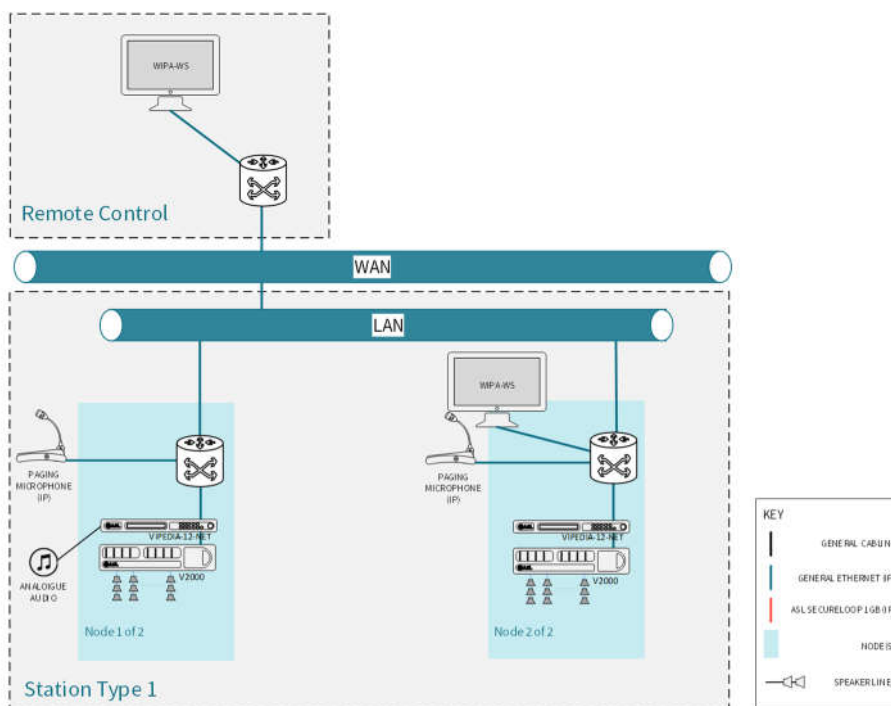
The VIPA-WS incorporates ASL's renowned VIPA audio platform to facilitate IP-based connectivity to the ASL Public Address system or VIPA enabled device. The VIPA-WS boasts a user-friendly interface that allows for simple and swift operation. Its standard features include:

- A button matrix or graphic GUI that can be customized with customer-supplied .png image files.
- Multiple user accounts can be created with their own login credentials and permissions. The default user roles include Operator, Administrator, and Maintainer.
- Display of and control of up to 384 PA Zones, depending on the model.
- The ability to select PA zones for broadcast directly from the graphic GUI, or via user-programmed group zone selection buttons.
- Graphical display of all PA zone activity and busy states on the GUI, with broadcasting source priority denoted by zone colour.
- Live broadcast via an associated MPS microphone (sold separately).
- Pre-recorded routine operational and security messages. Functions include immediate message selection and broadcast, automated time scheduled message broadcast, preview play of messages, recording, review, and storage of new messages, and management of the recorded messages. Pre-recorded messages can either be selected from ASL's standard English language message library or provided by the customer
- Audio monitoring of the PA broadcasts in any PA zone
- PA monitoring and system logs, including PA system status and fault monitoring, alarm list, event log, and broadcast log display and archive. The broadcast log shows the broadcast time, broadcast live audio source or selected message, and PA zone destination(s)
- An easy-to-view PA system equipment fault status tree.

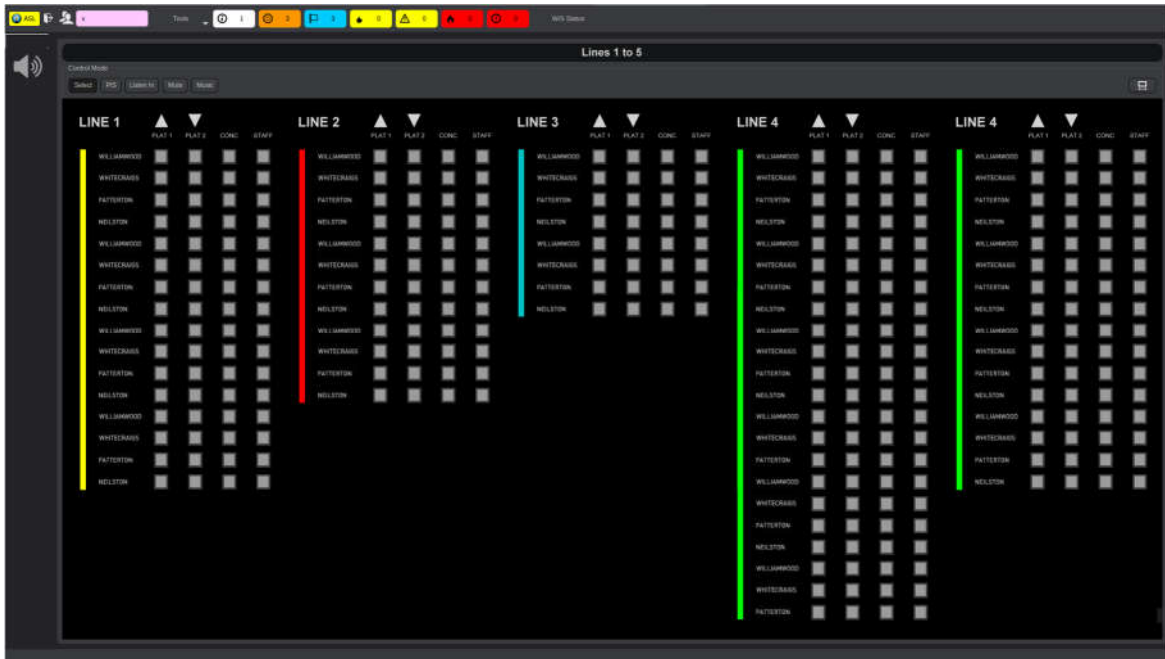
The functionality which is available in any one installation depends on the connections used and on the other equipment used in that installation.

SYSTEM ARCHITECTURE AND NETWORKING

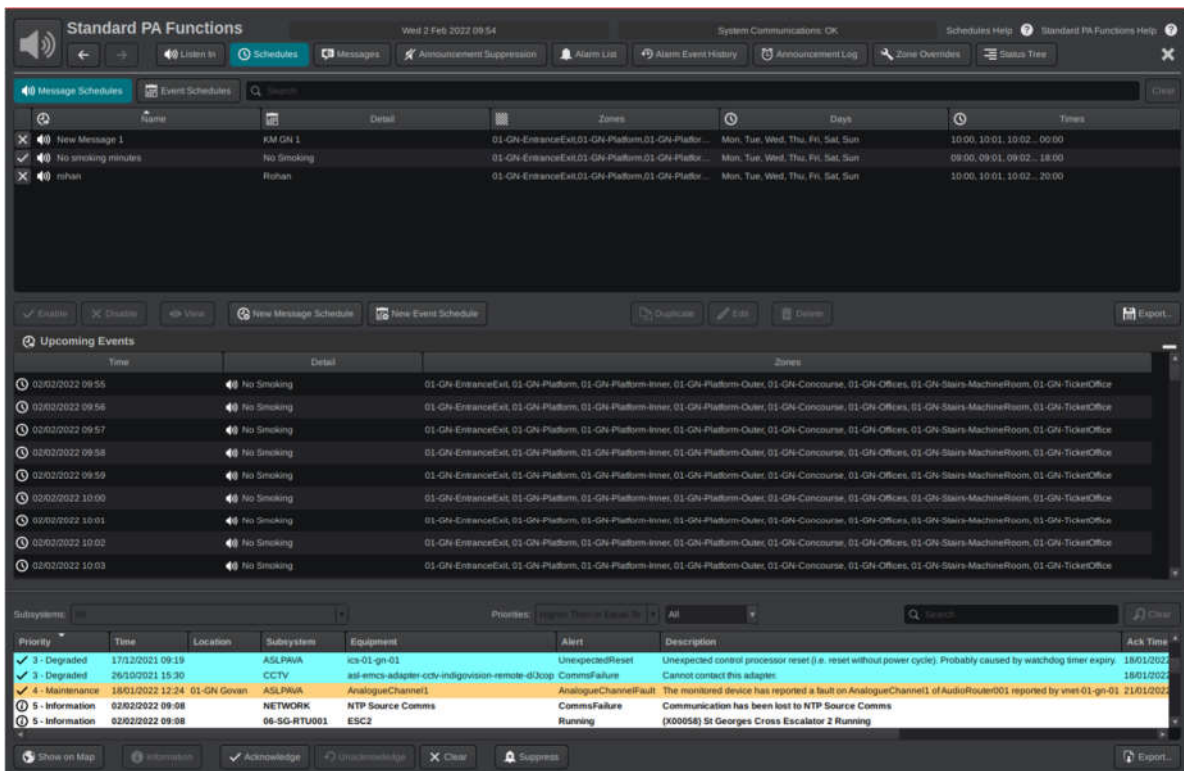
The PA equipment receives live voice audio streaming via the IP network, utilizing standard IPV4 UDP multicast with IGMPv3. Multicast transmissions enable multiple PA units to receive a single stream of data, reducing the required network transmission bandwidth. The quality of the streamed audio depends on the quality of the network communications.



EXAMPLE GUI



Example PA zone selection button matrix



Time-scheduled Message Broadcast Scheduler

SPECIFICATION

General

Format..... Integrated Client / Server
 PC Format.....All in one Desk Top
 ModelExact Model May Vary*
 TouchscreenYes

Networking

Ethernet 1x 100BASE-T
 Audio and Control Protocol PMC (48 kHz, 16 bit) & VIPA
 ASL Management Options SIL / VIPA
 NTP Server Uses an External NTP Time Source
 Protocols UDP IP / Layer 2+3 / Multicast / Unicast

GUI

Format..... Buttons or user provided graphic
 File Format..... PNG
 Image Size960 pixels wide x 640 pixels high

Pre-Recorded Messages

Maximum Message Length 60 seconds
 Message formatWAV
 Sample Rate48 kHz
 Bit Depth 16 Bit

Live Broadcasts

Maximum Broadcast Length60 seconds**

Power Supply

Input Voltage..... 100-240 V AC

Mechanical

Refer to the PC manufactures datasheet*

Environmental

Refer to the PC manufactures datasheet*

Configuration and Upgrades

Configuration....ASL/Zenitel or competently trained engineer

*The hardware may be subject to change without notification due to obsolescence issues beyond our control. However, we will ensure that minimum functionality is maintained. Manufactures datasheet available on request at the time of order

** Microphone sold separately

PRODUCT PART CODES

VIPA-WS20Public Address Touchscreen Workstation| Supporting up to 20 zones | Includes hardware, software and configuration
 VIPA-WS100 Public Address Touchscreen Workstation| Supporting up to 100 zones Includes hardware, software and configuration
 VIPA-WSCOM..... Public Address Touchscreen Workstation| Supporting up to 384 zones Includes hardware, software and configuration

COMPATIBLE HARDWARE

VIPEDIA-12-NET DSP Audio Controller / Router
 VIPEDIA-12-PRODante enabled DSP Audio Router
 INTEGRA Range Integrated Wall Mount PAVA System
 INTEGRA-PRO Range Dante enabled Integrated Wall Mount PAVA System
 V-COMPACT PC Edge VIPA Audio Device
 MPS-IP RangeMPS Range of IP enabled microphones



This equipment is designed and manufactured to conform to the following EC standards:

EMC: Refer to PC manufactures datasheet

Manufacturer:

Application Solutions (Safety and Security) Limited
 Unit 17 Cliffe Industrial Estate
 Lewes - East Sussex
 BN8 6JL - UK
 Tel: +44(0)1273 405411 Fax: +44(0)1273 405415
www.asl-control.co.uk



Assessed to ISO 9001

LPCB Cert No: 1043QMS

All rights reserved.

Information contained in this document is believed to be accurate, however no representation or warranty is given and Application Solutions (Safety and Security) Limited assumes no liability with respect to the accuracy of such information. ASL_Datasheet_VIPA-WS_V03—May 23