

EN54 PENDANT CEILING SPEAKER

- 16W 100V LOUDSPEAKER
- SIZE 5" (130MM)
- PENDANT MOUNTING
- WEATHERPROOF TO IP35
- EXCELLENT SOUND QUALITY
- FULLY CERTIFIED TO EN54-24



OVERVIEW

The SPCP-16W-50-EN54 is a 16W 100V pendant ceiling mount loudspeaker, which has a 5" (130mm) full-range chassis providing excellent sound quality with speech and background music, and which is certified to EN54-24. The speaker is fitted with a 100V transformer which has three power adjustment tapings of 16W, 8W and 4W.

The SPCP-16W-50-EN54 has a powder coated metal chassis and grille, with the high quality finish giving good long-term protection and resistance to corrosion. The speaker has a sturdy, UV-resistant ABS housing rated to UL94-HB, with an ingress protection rating of IP35, and is coloured to match RAL9010 'Pure White'. However, the speakers can be supplied in any four digit RAL or NCS colour, as a special order.

The 100V loudspeaker line connection is provided via a 4.5m long 4-core cable, which is terminated to the 100V loudspeaker line site cabling using a two-pin ceramic block, housed within the speaker's ceiling mounting rose. For additional reliability a thermal fuse is provided and the speaker chassis is damp-resistant.

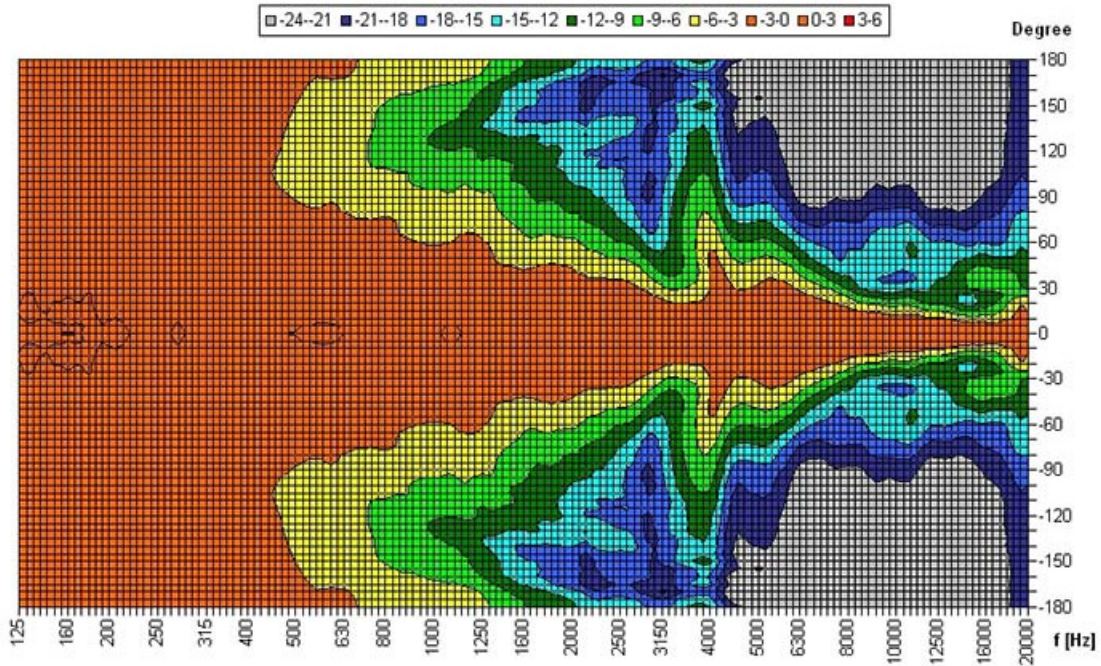
The loudspeaker is optionally available with a DC blocking capacitor fitted, in order to provide compatibility with DC loudspeaker line monitoring systems. The part number for this DC monitoring compatible version is SPCP-16W-50-EN54-DC.

EASE data is available for this speaker on request.

PRODUCT ATTRIBUTES

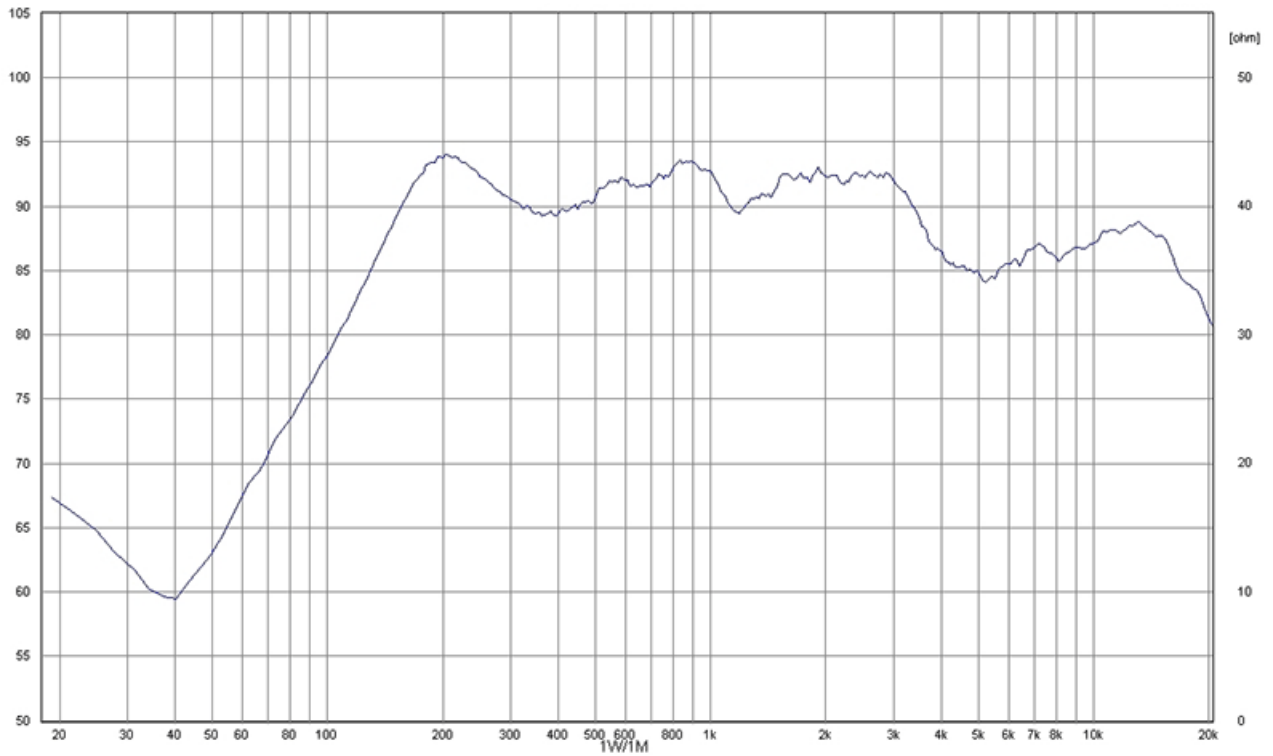
Power Tappings	16W / 8W / 4W
Impedance (100V)	625 / 1250 / 2500 ohm
Frequency Range	130 – 13,300 Hz
Frequency Response	130 – 23,500 Hz
SPL 1W / 1m, peak	89.9 dB
SPL 1W / 4m, peak	77.9 dB
SPL Pmax / 4m, peak	89.9 dB
Sensitivity EN54-24, 1W / 4m	73.0 dB
Dispersion (-6dB, 500Hz)	360°
Dispersion (-6dB, 1KHz)	196°
Dispersion (-6dB, 2KHz)	132°
Dispersion (-6dB, 4KHz)	171°
Temperature Range	-20 / +80 °C
Dimensions	185 x 157 mm
IP Rating	IP35
Weight (net)	1.58 kg
Mounting	Mounting hook
Connector	2-pin ceramic block
Maximum cable cross section	8mm ²
Maximum cable cross section loop	2 x 2mm ²
IP Rating	IP35
Colour	RAL 9010 'Pure White'

POLAR DIAGRAM

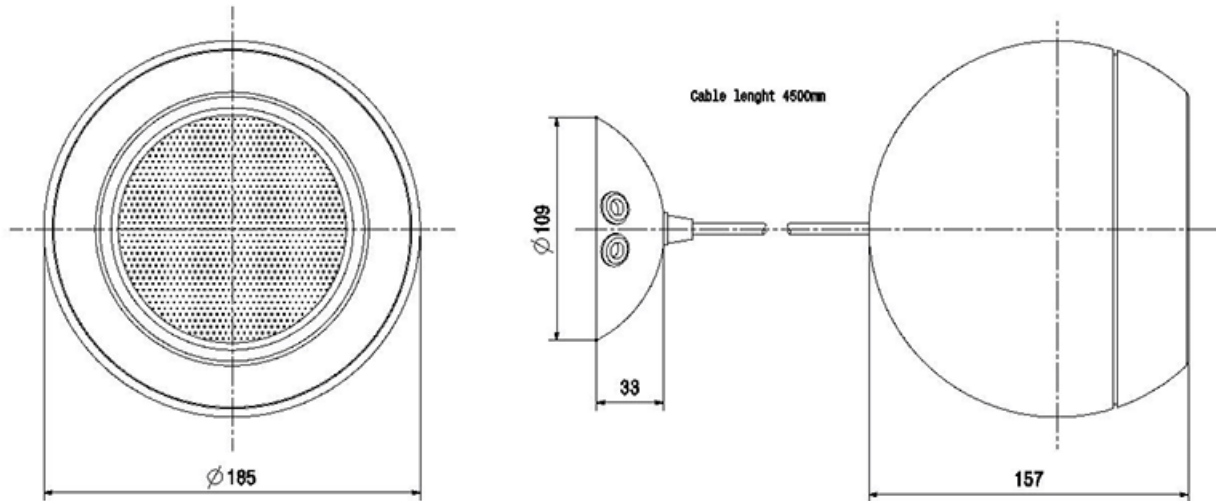


Parameters: Cyclic Move: 0° ; Symmetry: average sym ; Freq.Smooth: 1/3 Oct ; Ang.Resol: 5° ; Rel. to: 0° Axis 0°

FREQUENCY RESPONSE DIAGRAM



DIMENSIONAL DIAGRAM



Measurements according to DIN IEC 268-5

RoHS compliant (2011/65/EU)



This equipment is designed and manufactured to conform to the following EU Directives:

Electromagnetic Compatibility (EMC): 2014/30/EU
 Low Voltage: 2014/35/EU
 Restriction of Hazardous Substances (RoHS): 2011/65/EU

Manufacturer

Application Solutions (Safety and Security) Limited
 Unit 17 - Cliffe Industrial Estate - Lewes - East Sussex - BN8 6JL - U.K.
 Tel: +44(0)1273 405411

www.asl-control.co.uk

All rights reserved.

Information contained in this document is believed to be accurate, however no representation or warranty is given and Application Solutions (Safety and Security) Limited assumes no liability with respect to the accuracy of such information.



Assessed to ISO 9001

LPCB Cert No: C1043