

## EN54 BATHROOM CEILING SPEAKER

- 6W 100V LOUDSPEAKER
- SIZE 4" (100MM)
- FOR USE IN DAMP LOCATIONS
- WEATHERPROOF TO IP54
- QUICK MOUNT
- IMPACT RESISTANT ABS
- EXCELLENT SOUND QUALITY
- FULLY CERTIFIED TO EN54-24



### OVERVIEW

The SPCF-06W-40-IP54-EN54 is a 6W 100V flush mount ceiling loudspeaker which is sealed to the IP54 environmental standard and is intended for use in damp locations such as bathrooms. The speaker has a closed housing and is equipped with a 4.0" (100mm) full-range loudspeaker chassis providing excellent sound quality with speech and background music, and which is certified to EN54-24. It is fitted with a 100V transformer which has three power adjustment tapings of 6W, 3W and 1.5W, plus a low-impedance setting (8 ohm).

The SPCF-06W-40-IP54-EN54 has a high-density, impact-resistant ABS housing and a rugged metal grille which provides good long-term stability and a balanced sound. The speaker is coloured to match RAL9016 'Traffic White'.

The 100V loudspeaker line connection is provided via a 950mm cable, which is terminated with an IP65 ingress protection rated connection box fitted with a ceramic terminal block and a thermal fuse. For additional protection, the speaker chassis is treated against damp.

Quick and easy ceiling mounting is provided through the use of spring clamps, with a possible ceiling thickness of between 6mm and 25mm.

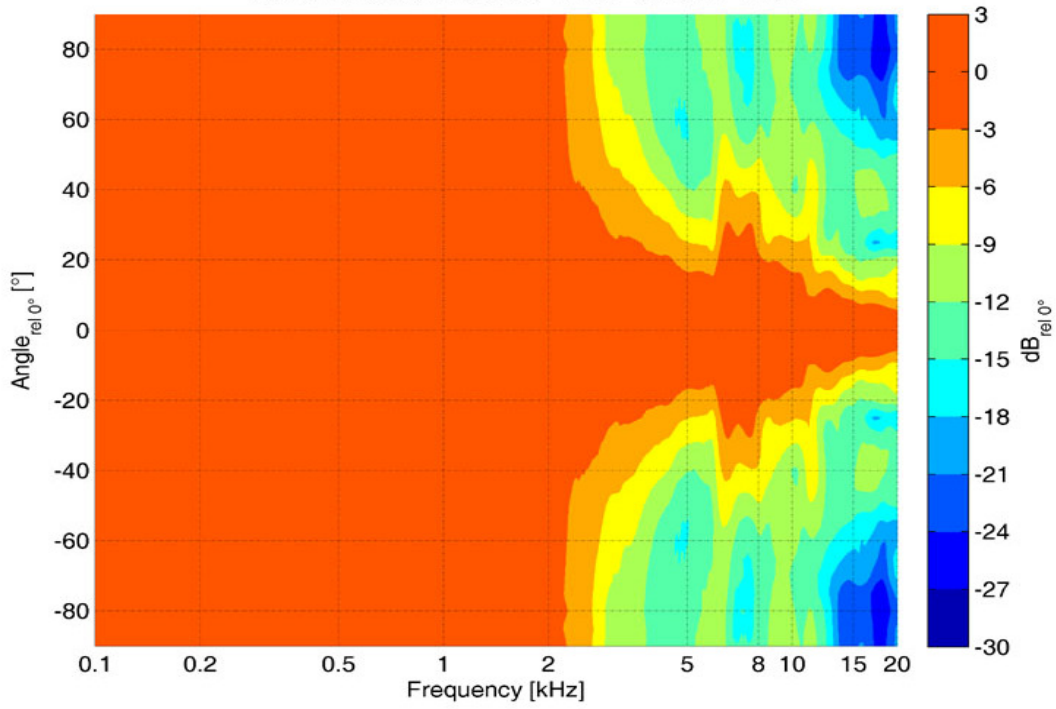
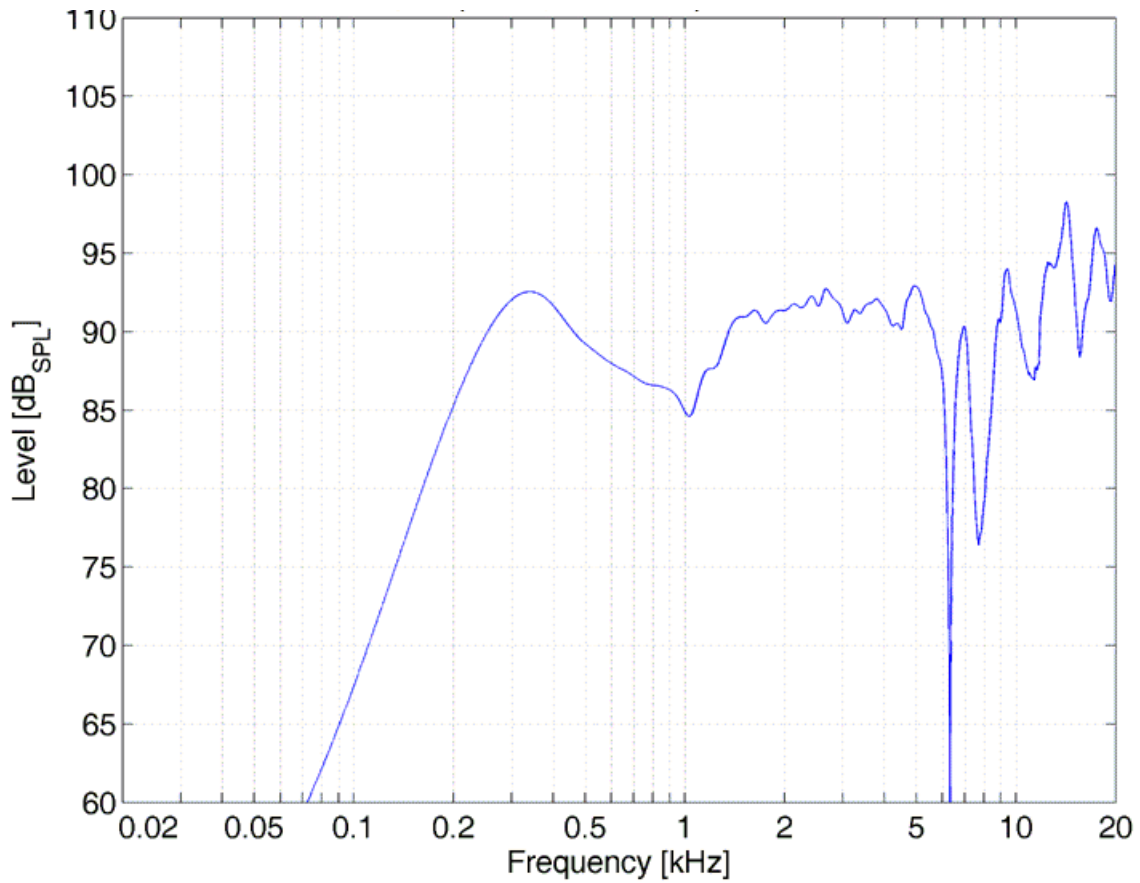
Please note that although very thin ceilings can be used as a mounting surface, it should be ensured that the ceiling thickness and strength are appropriate to the weight of the speaker, and to the thickness and weight of the 100V line cable.

This loudspeaker is optionally available with a DC blocking capacitor fitted, in order to provide compatibility with DC loudspeaker line monitoring systems. The part number for this DC monitoring compatible version is SPCF-06W-40-IP54-EN54-DC.

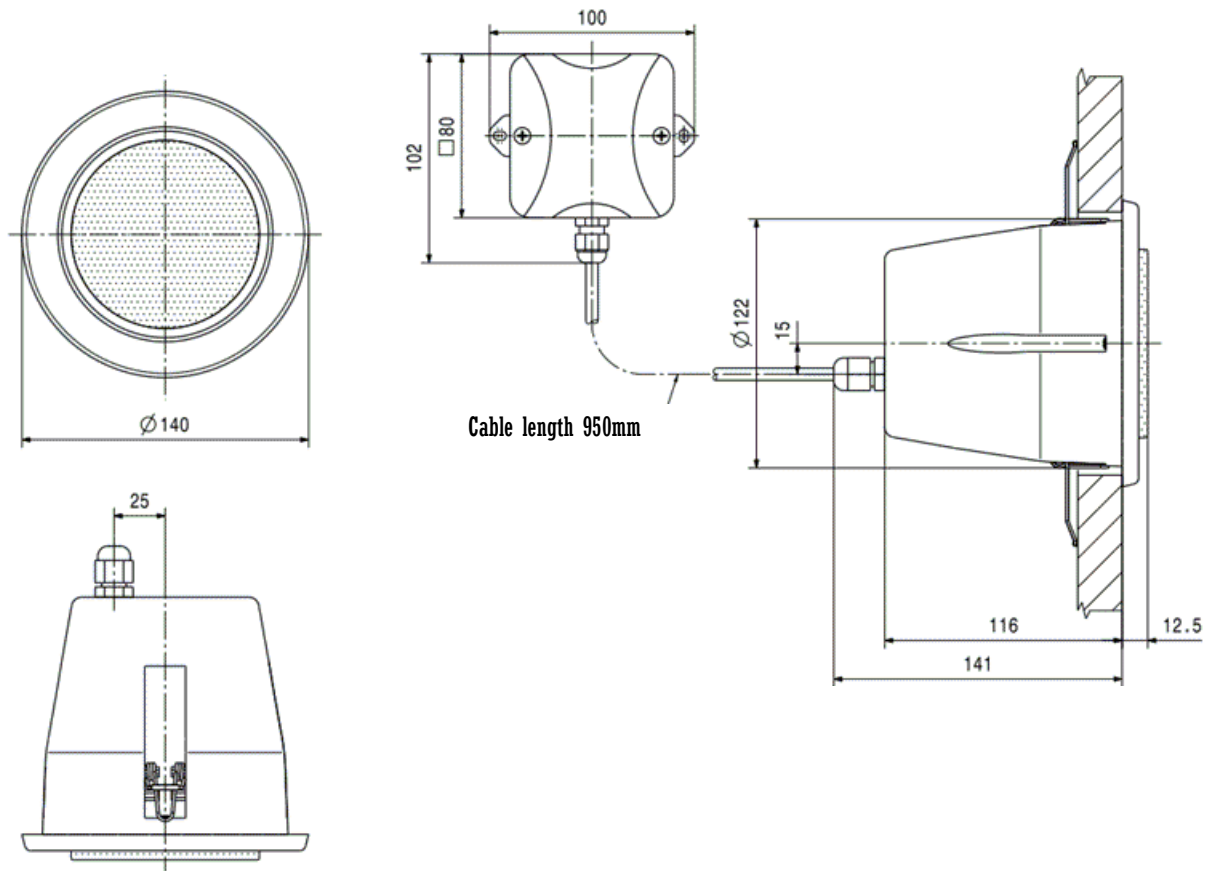
EASE data is available for this speaker on request.

**PRODUCT ATTRIBUTES**

Power Tappings	6W / 3W / 1.5W
Frequency Range	187 – 23,700 Hz
Frequency Response	168 – 25,000 Hz
SPL 1W / 1m, peak	92.0 dB
SPL 1W / 4m, peak	80.0 dB
SPL Pmax / 4m, peak	87.7 dB
Sensitivity EN54-24, 1W / 4m	74.8 dB
Dispersion (-6dB, 500Hz)	180° (horizontal) 180° (vertical)
Dispersion (-6dB, 1KHz)	180° (horizontal) 180° (vertical)
Dispersion (-6dB, 2KHz)	180° (horizontal) 180° (vertical)
Dispersion (-6dB, 4KHz)	64° (horizontal) 64° (vertical)
Temperature Range	-20 / +80 °C
Dimensions	140 x 141 mm
Weight (net)	1.1 kg
Colour	RAL 9016 'Traffic White'
Connector	2-pin ceramic block
Mounting	Snap system
Ceiling Cut-out	129 mm
Packing Unit	16
IP Rating	IP54

**POLAR DIAGRAM**

**FREQUENCY RESPONSE DIAGRAM**


**DIMENSIONAL DIAGRAM**



Measurements according to DIN IEC 268-5

RoHS compliant (2011/65/EU)



This equipment is designed and manufactured to conform to the following EU Directives:

- Electromagnetic Compatibility (EMC): 2014/30/EU
- Low Voltage: 2014/35/EU
- Restriction of Hazardous Substances (RoHS): 2011/65/EU

Manufacturer

Application Solutions (Safety and Security) Limited  
 Unit 17 - Cliffe Industrial Estate - Lewes - East Sussex - BN8 6JL - U.K.  
 Tel: +44(0)1273 405411

[www.asl-control.co.uk](http://www.asl-control.co.uk)

All rights reserved.

Information contained in this document is believed to be accurate, however no representation or warranty is given and Application Solutions (Safety and Security) Limited assumes no liability with respect to the accuracy of such information.



Assessed to ISO 9001

LPCB Cert No: C1043